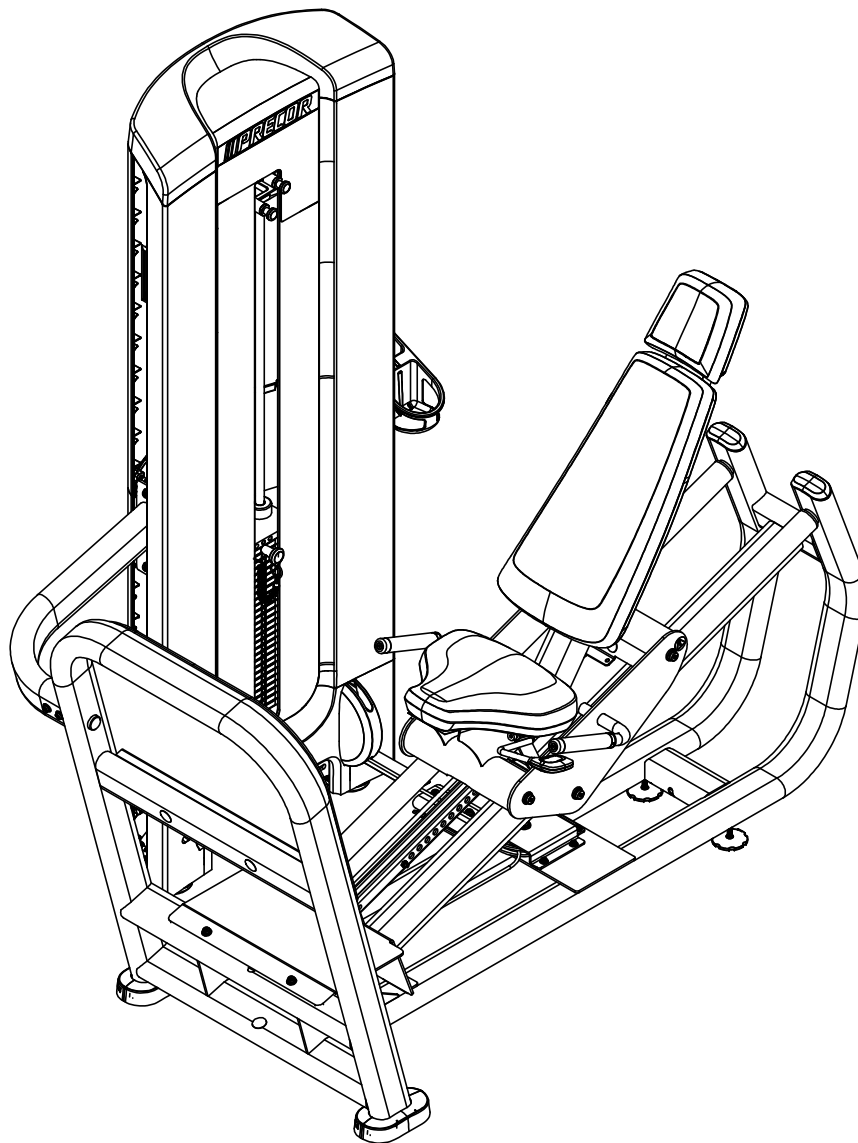


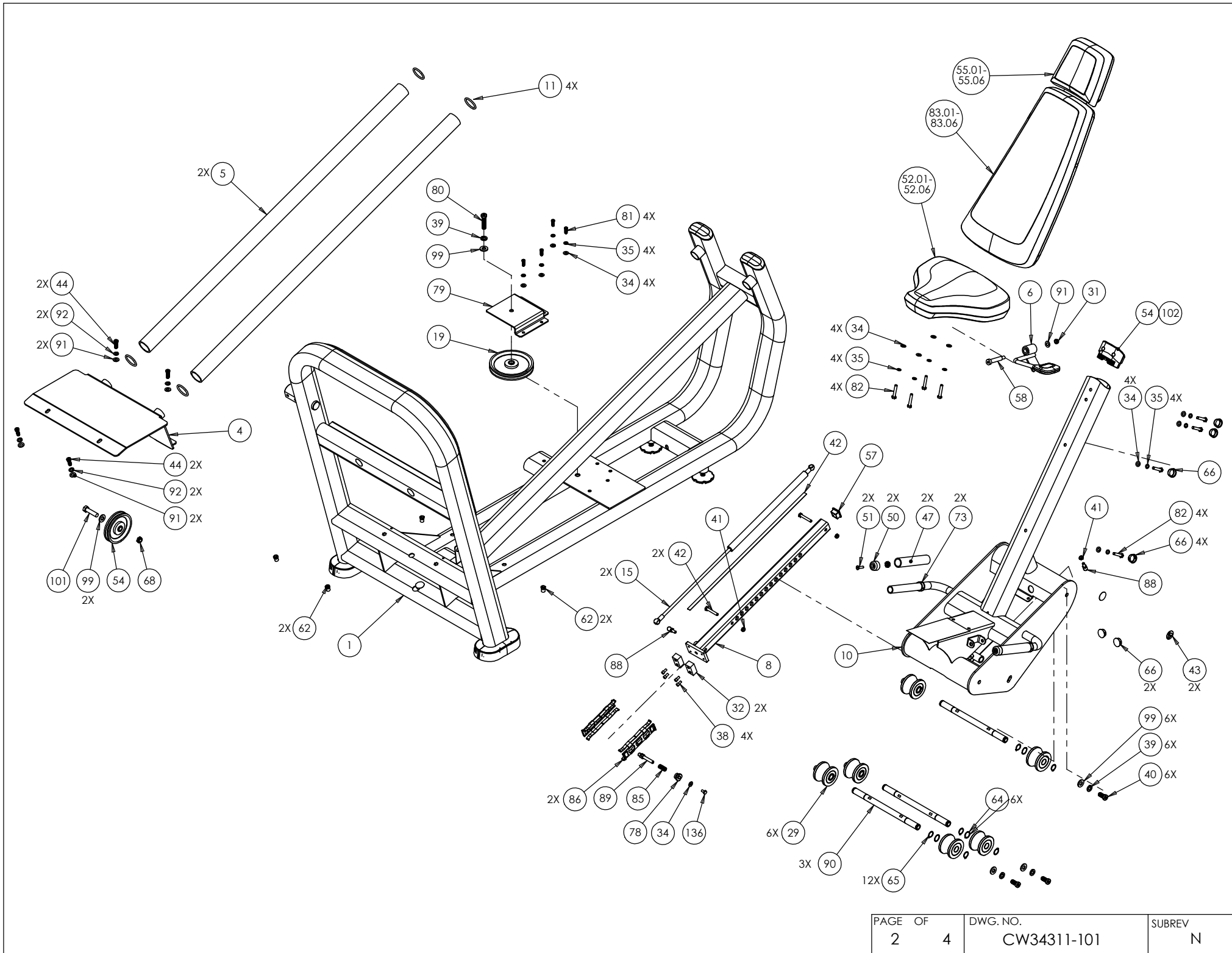
NOTES:

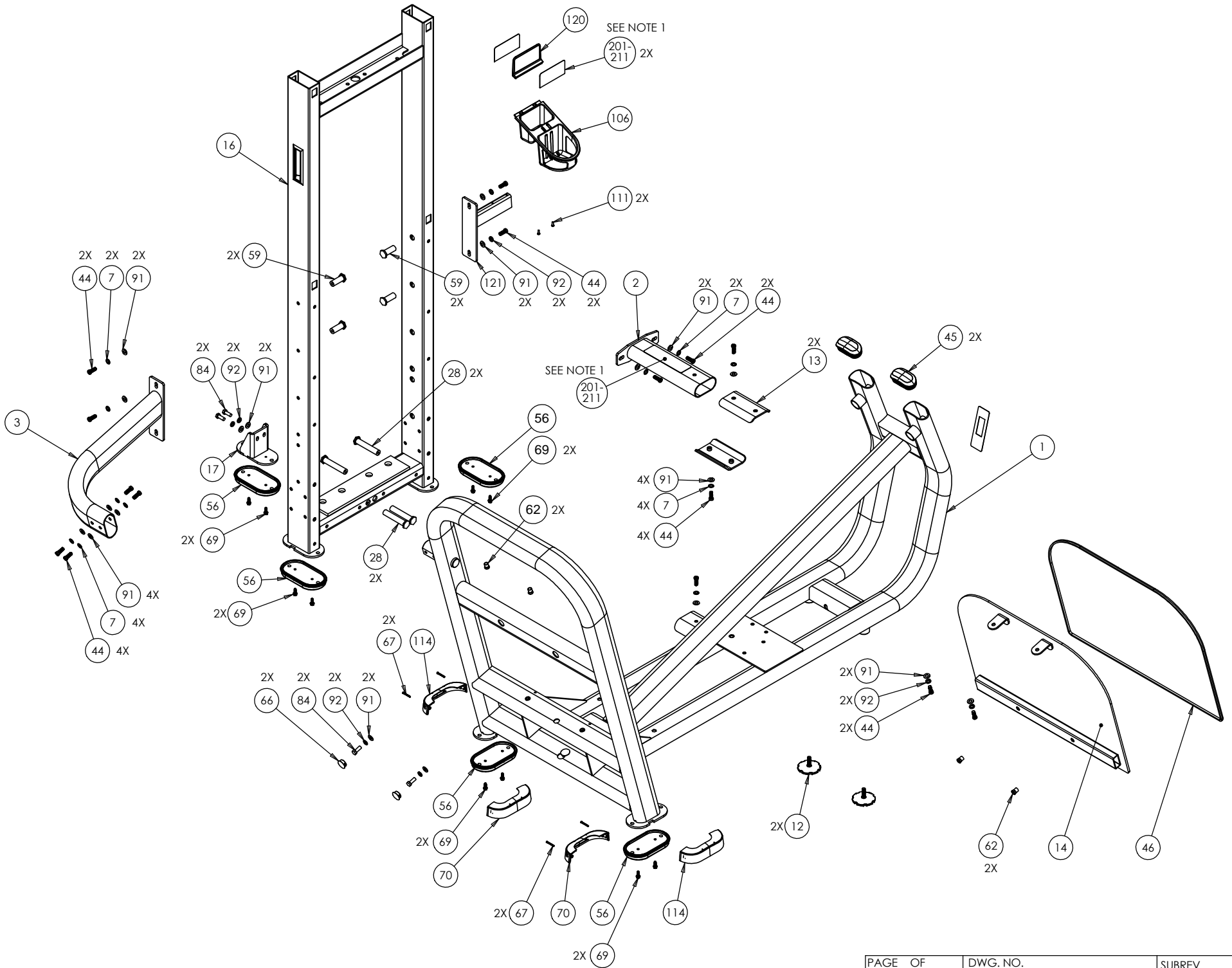
1. THIS LABEL IS FURNISHED AS PART OF A LABEL KIT. ORDER REPLACEMENT LABEL KITS AS FOLLOWS:

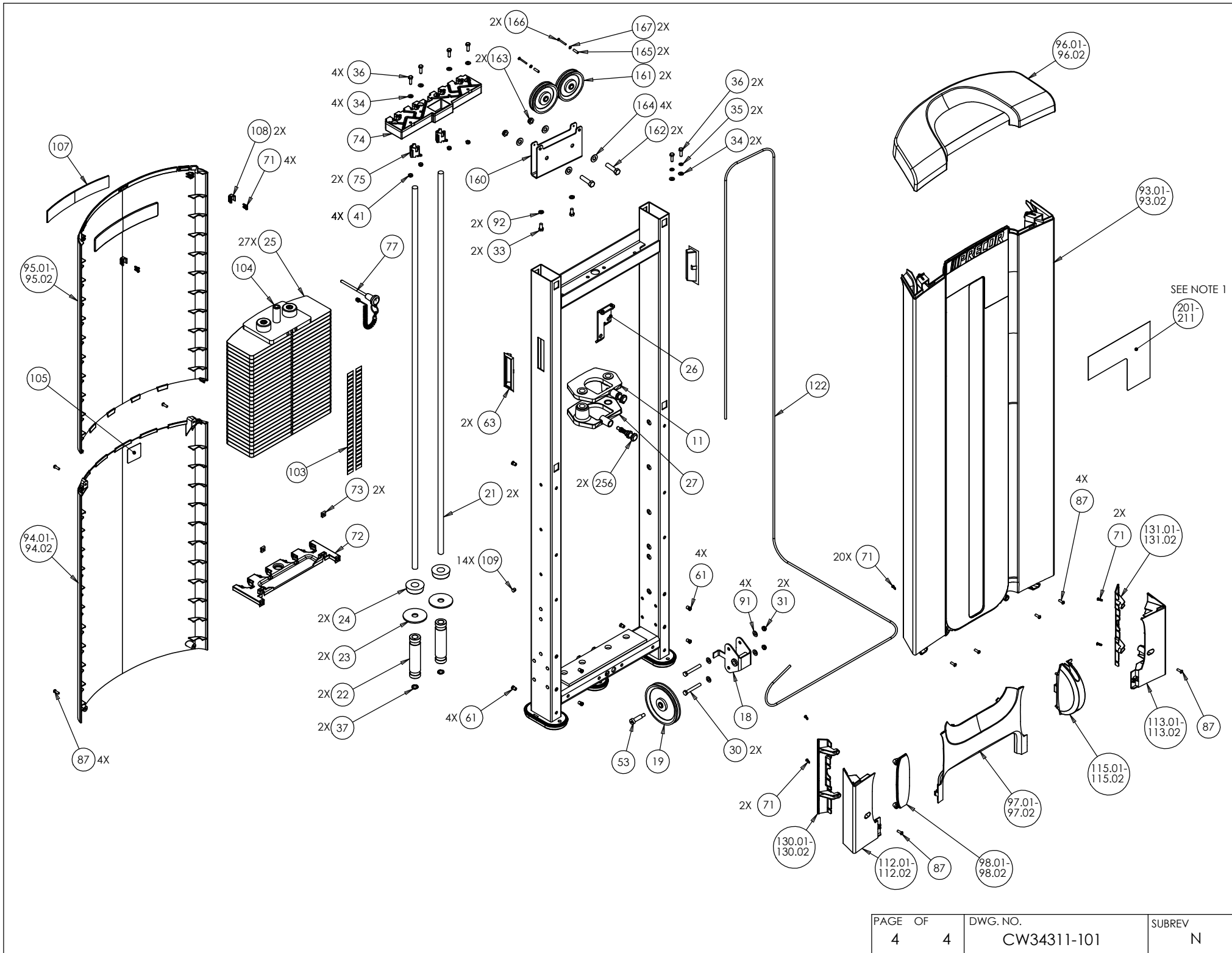
- ENGLISH - BUBBLE #201
- CHINESE - BUBBLE #202
- FRENCH - BUBBLE #203
- GERMAN - BUBBLE #204
- JAPANESE - BUBBLE #205
- SPANISH - BUBBLE #206
- DUTCH - BUBBLE #207
- PORTUGUESE - BUBBLE #208
- RUSSIAN - BUBBLE #209
- HEBREW - BUBBLE # 210
- ITALIAN - BUBBLE #211



C602EC - LEG PRESS	P/N : CW34311-101	SUBREV : N
DRAWN BY : KAW	DATE : 5.15.12	SHEET 1 OF 4







SEE NOTE 1

PAGE OF	DWG. NO.	SUBREV
4 4	CW34311-101	N

C602EC, Seated Leg Press, C-Line

Part Number	Description	Bubble Number
CW34043-101	WLDMT, STEP, LEG PRESS,PT	4
CW34092-101	TUBE, 2.0 DIA X .188, SEAT RAIL, LE	5
CW34194-101	ASSY, HANDLE, SEAT ADJUST, LEG PRES	6
CW11095-109	CAP, PLASTIC, HEYCO, DOME PLUG, 1.0	7
CWWATCN038-032	WASHER, LK, INT. TOOTH, .375	7
CW34047-103	WLDMT, SELECTOR TUBE, LEG PRESS	8
CW50246-102	ASSEMBLY, SEAT CARRIAGE, LEG PRESS	10
CW10115-118	O-RING, 1.625 ID, .188 WIDTH, BUNA-	11
CW33966-103	ASSEMBLY, CAST DROP DOWN, TOP	11
CW39916-103	FOOT, ADJUSTING, NO LOGO	12
CW33880-101	FORMED, PLATE, .19 THICK, DOUBLE-D CO	13
CW34050-103	WLDMT, FOOT PLATE, LEG PRESS, PT	14
CW34193-102	GAS SPRING, 350MM STROKE	15
CW33841-103	WLDMT, WEIGHT TOWER, TALL	16
CW34380-101	ASSY, STABILITY FOOT	17
CW33773-101	WLDMT, WS BASE PULLEY	18
CWAC1010-101	PULLEY, 6 DIA X 1/2 ID	19
CW34386-101	LABEL, LEG PRESS SEAT ADJUSTMENT	20
CW34007-101	BAR, DIA .75, GUIDE ROD, TALL STACK	21
CW33633-101	BAR, 1.50 DIA, WEIGHT STACK RISER	22
CW33894-101	WASHER, BUMPER BACKING	23
CW12402-101	BUMPER, ID 1.050, BLK RUBBER	24
CW33871-101	ASSEMBLY, WEIGHT PLATE	25
CW33967-102	PLATE, .19 THICK, DRP DW WT MNT	26
CW33966-102	ASSEMBLY, CAST DROP DOWN, BOTTOM	27
CW33991-101	WEIGHT TOWER BOLT ON, LONG	28
CW34192-103	ASSY, CARRIAGE WHEEL, LEG PRESS	29
CWHCCN038-275	SCREW, HEX, CLR. ZINC, 3/8-16 X 2 3	30
CWKACN038-027	LOCKNUT, HALF, 3/8-16, ZN	31
CW49768-101	1 X 1.75 X 0.75 BUMPER WITH STEEL B	32
CWHCCN038-075	SCREW, HEX, CLR. CLR. ZINC, 3/8-16	33
CWWBCN031-007	WASHER, FLAT, TYPE A, SAE, 5/16 ID	34
CWWALCN031-008	WASHER, SPLIT, 5/16 ID, ZN	35
CWEANN016-013	SCREW, SET, SCKT, CUP POINT, 8-32 X	36
CWHCCN031-100	SCREW, HEX, GR 5, 5/16-18 X 1.0, ZN	36
CW12651-101	WAVE SPRING, .85 OD X .66 ID X .17	37
CWCAMN025-050	SCREW, SKHD, 1/4-20 X .50, ZN, (MECH P	38
CWWALCN050-013	WASHER, SPLIT, 1/2 ID, CLR ZINC	39
CWCMPMN050-100	SCREW, SCKT LW HD, MCH CLR ZI, 1/2-1	40
CWKACN031-016	LOCKNUT, HALF, 5/16-18, ZN	41
CWHCCN031-200	SCREW, HEX, GR 5, 5/16-18 X 2.0, ZN	42
CW34758-102	LABEL, PINCH POINT WARNING, RENOVO,	43
CWCMPMN038-100	SCREW, SCKT LW HD, MCH CLR ZI, 3/8-1	44
CW33996-101	DOUBLE D TUBE END CAP	45
CW34195-102	RUBBER MAT, PRESS PLATE, ADHESIVE B	46
CWGR4606-000	GRIP, RUBBER, 1.00" OD HANDLE, 6.00	47
CW34091-101	HANDLE END CAP, ALUM,	50
CWMACMN025-100	SCREW, FLT HEAD, SOCKET, MECH CLR Z	51

CWPD4003-101	SEAT PAD, RENOVO, BLACK	52.01
CWPD4003-114	SEAT PAD, RENOVO, CUSTOM	52.02
CWPD4003-118	SEAT PAD, RENOVO,IMP BLUE	52.03
CWPD4003-122	SEAT PAD, RENOVO, PAPRIKA	52.04
CWPD4003-131	SEAT PAD, RENOVO, MAHOGANY	52.05
CWRANN038-150	BOLT, SHOULDER, 3/8-16 X 1/2 X 1 1/	53
CWAC1009-101	PULLEY, 4 1/2 DIA X 1/2 ID	54
CWPD4011-101	HEAD PAD, RENOVO, BLACK	55.01
CWPD4011-114	HEAD PAD, RENOVO, CUSTOM	55.02
CWPD4011-118	HEAD PAD, RENOVO,IMP BLUE	55.03
CWPD4011-122	HEAD PAD, RENOVO, PAPRIKA	55.04
CWPD4011-131	HEAD PAD, RENOVO, MAHOGANY	55.05
CW11311-105	ENDCAP, REC TUBE, 1.25X1.25, BLK PL	57
CWRANN038-225	BOLT, SHOULDER, 3/8-16 X 1/2 X 2.25	58
CW33991-102	WEIGHT TOWER BOLT ON, SHORT	59
CW12112-101	RIVNUT,INSERT,HEX,1/4-20	61
CW12112-103	RIVNUT,INSERT, HEX, 3/8-16, .685 LO	62
CW34067-101	PLASTIC RECESSED HANDLE	63
CW11095-109	CAP, PLASTIC, HEYCO, DOME PLUG, 1.0	66
CWPMTN016-125	SCREW, SELF TAPPING,#8 X 1 1/4 PHIL	67
CWKACN050-031	LOCKNUT,HALF, 1/2-13, ZN	68
CWPLCN025-075	SLOTTED, HEX, WASHER, HEAD, 1/4-20	69
CW34061-105	FOOT COVER FRONT, 15 DEGREES LONG	70
CWPMTN016-063	SCREW, SELF TAPPING,#8 X 5/8 PHIL,	71
CW34367-101	LOWER COVER SUPPORT ASSY	72
CWAC219-902	HNDL RETAINER RNG, W/SS,1.040" I.D.	73
CW34014-101	UPPER GUIDE ROD SUPPORT	74
CW34015-101	UPPER GUIDE ROD LOCK	75
CW33870-104	ASSEMBLY, 5" WEIGHT STACK PIN & LEA	77
CW33969-101	BAR,RND,1.00 DIA,RETAINER, POP PIN	78
CW34305-101	FORMED SHEET, .135 THK, PULLEY COVE	79
CWCPMN050-200	SCREW, SOCKET LOW HEAD, MECH CLR ZI	80
CWCPMN031-100	SCREW, SCKT LW HD, MCH CLR ZI,5/16-	81
CWHCCN031-175	SCREW, HEX, GR 5, 5/16-18 X 1 3/4 C	82
CWPD4033-101	BACK PAD, RENOVO, BLACK	83.01
CWPD4033-114	BACK PAD, RENOVO, CUSTOM	83.02
CWPD4033-118	BACK PAD, RENOVO,IMP BLUE	83.03
CWPD4033-122	BACK PAD, RENOVO, PAPRIKA	83.04
CWPD4033-131	BACK PAD, RENOVO, MAHOGANY	83.05
CWHCCN038-100	SCREW, HEX, CLR ZINC, 3/8-16 X 1.00	84
CW10231-131	SPRING, COMPRESSION, .049 WIRE	85
CW33626-901	GUIDE, THIN, TELESCOPING TUBE	86
CWTATN025-075	SCREW, BUTTON HEAD, SHARPERIZED BLK	87
CW33992-102	BALL, GAS SPRING, 13MM	88
CW34086-101	BAR, .60 DIA X 2.7, POP PIN, LEG PR	89
CW34087-102	SHAFT, .79 DIA X 12.46, CARRIAGE, L	90
CWWBCN038-007	WASHER, FLAT, TYPE A, 3/8 ID X 13/1	91
CWWALCN038-009	WASHER, SPLIT, 3/8 ID, CLR ZINC	92
CW34198-103	ASSY, WINDOW BASE SHROUD, TALL, SIL	93.01
CW34198-104	ASSY, WINDOW BASE SHROUD, TALL, AMA	93.02
CW34376-101	ASSY,COVER, BACK, LOWER, TALL, PACI	94.01

CW34376-102	ASSY,COVER, BACK, LOWER, TALL, DARK	94.02
CW34199-101	ASSY, BACK, TOP SHROUD, TALL, PACIF	95.01
CW34199-102	ASSY, BACK, TOP SHROUD, TALL, DARK	95.02
CW33947-103	COVER, TOP	96.01
CW33947-104	COVER, TOP, AMAZON STONE	96.02
CW33945-101	COVER, CENTER	97.01
CW33945-102	COVER, CENTER, AMAZON STONE	97.02
CW34013-101	PLUG, PULLEY, SILVER GRAY	98.01
CW34013-102	PLUG, PULLEY, AMAZON STONE	98.02
CWWBCN050-010	WASHER, FLAT, TYPE A, NARROW, 1/2 I	99
CWHCCN050-200	SCREW, HEX HEAD,ZN, 1/2-13 X 2.0	101
CW34366-101	END CAP ASSY, SEAT BACK, DOUBLE D T	102
CW50270-101	KIT, WEIGHT STACK LABELS, 415 LB	103
CW33869-101	ASSEMBLY, TOP PLATE, 425 LBS STACK	104
CW34787-101	WATER BOTTLE HOLDER, WEIGHT STACK	106
CW34073-102	PRECOR BADGE, BACK	107
CW34074-101	REAR COVER SNAP	108
CW11095-107	CAP, PLASTIC, HEYCO, DOME PLUG, 0.3	109
CW34071-101	PRECOR BADGE, FRONT	110
CWMGCN016-050	SCREW, MCH, 8-32 X 1/2, PANHD, PHIL	111
CW34343-101	CORNER COVER ASSY, LEFT, SILVER GRA	112.01
CW34343-103	CORNER COVER ASSY, LEFT, AMAZON STO	112.02
CW34343-102	CORNER COVER ASSY, RIGHT, SILVER GR	113.01
CW34343-104	CORNER COVER ASSY, RIGHT, AMAZON ST	113.02
CW34061-106	FOOT COVER BACK, 15 DEGREES LONG	114
CW34012-103	PULLEY COVER, 6 INCH, SILVER GRAY	115.01
CW34012-104	PULLEY COVER, 6 INCH, AMAZON STONE	115.02
CW34788-101	LABEL PLACARD, WATER BOTTLE, WEIGHT	120
CW34364-101	WLDMT, WATER BOTTLE HOLDER	121
CWCLPP174-875	ASSY, CABLE, LEG PRESS, RENOVO	122
CW34341-101	BOTTOM, EDGE COVER, RAIL, LEFT, SIL	130.01
CW34341-103	BOTTOM, EDGE COVER, RAIL, LEFT, AMA	130.02
CW34341-102	BOTTOM, EDGE COVER, RAIL, RIGHT, SI	131.01
CW34341-104	BOTTOM, EDGE COVER, RAIL, RIGHT, AM	131.02
CW34373-101	LABEL,CABLE BOLT WARNING STRENGTH,	134
CWHCCN025-050	SCREW, HEX, CLR ZINC,1/4-20 X .50	136
CW35978-101	DBL PULLY BRKT,FORMED PLATE,10GA(.1	160
CWAC1009-101	PULLEY, 4 1/2 DIA X 1/2 ID	161
CWHCCN050-200	SCREW, HEX HEAD,ZN, 1/2-13 X 2.0	162
CWKACN050-031	LOCKNUT,HALF, 1/2-13, ZN	163
CWWBCN050-010	WASHER, FLAT, TYPE A, NARROW, 1/2 I	164
CW35980-101	SPACER, ALU,.166 ID X .25 OD X .875	165
CWMGCN016-150	SCREW,MCH,8-32X1-1/2,PANHD,	166
CWWAMCN016-020	WASHER, LOCK, EXT TOOTH, #8	167
CW34404-101	STOP BUMPER,W/THRD STUD,1/4-20, 1"	173
CWABHN020-001	RING,RETAINING,20MM,EXT	192
CWWAGNN072-001	WASHER, WAVE (SSR-0100)	193
CW34204-101	LABEL KIT,ENGLISH,LEG PRESS	201
CW34204-102	LABEL KIT,CHINESE,LEG PRESS	202
CW34204-103	LABEL KIT,FRENCH,LEG PRESS	203
CW34204-104	LABEL KIT,GERMAN,LEG PRESS	204

CW34204-105	LABEL KIT,JAPANESE,LEG PRESS	205
CW34204-106	LABEL KIT,SPANISH,LEG PRESS	206
CW34204-107	LABEL KIT,DUTCH,LEG PRESS	207
CW34204-108	LABEL KIT,PORTUGUESE,LEG PRESS	208
CW34204-109	LABEL KIT,RUSSIAN,LEG PRESS	209
CW34204-110	LABEL KIT,HEBREW,LEG PRESS	210
CW34204-111	LABEL KIT,ITALIAN,LEG PRESS	211
CW50271-101	KIT, DROP DOWN WEIGHTS.	250
CW50288-101	KIT, POP PIN, DROP DOWN WEIGHT	256
CW35145-101	CUT PIECE CREPE, .06" THICK	257
CW11095-111	CAP, PLASTIC, HEYCO, PRY OUT PLUG,	265
CW34958-101	LIT KIT, EXPERIENCE C, SEATED LEG P	999